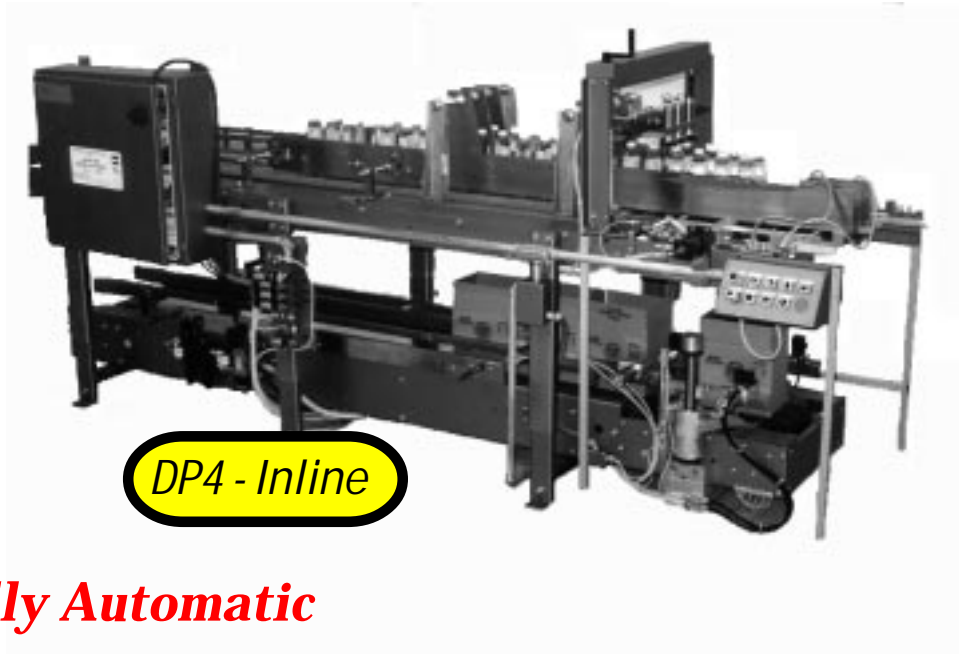


CLIMAX
PACKAGING MACHINERY

D R O P P A C K E R S



DP4 - Inline

Fully Automatic

***Glass, Plastic,
Metal, or Composite
Containers***

***Round or Non-Round
Containers***

***Corrugated or Plastic
Cases and Trays***

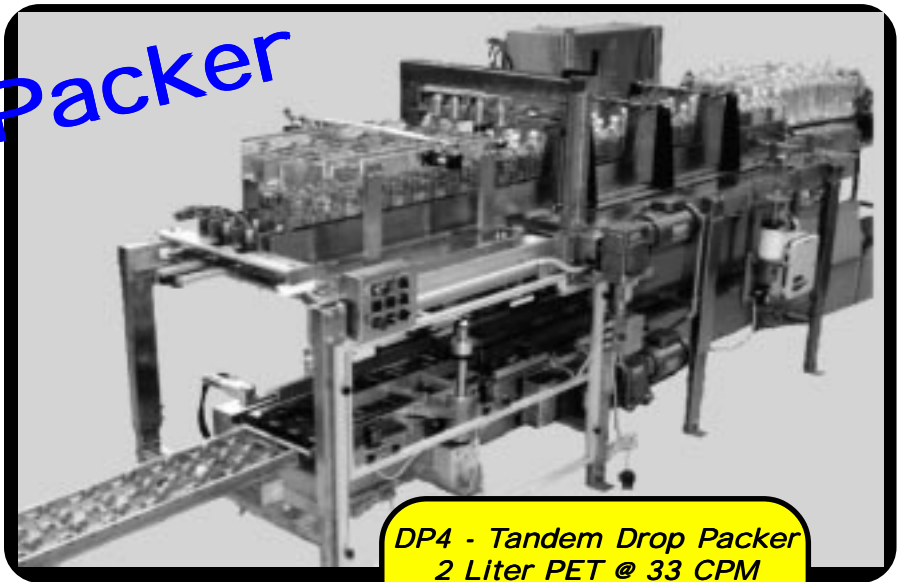


Com-Pak

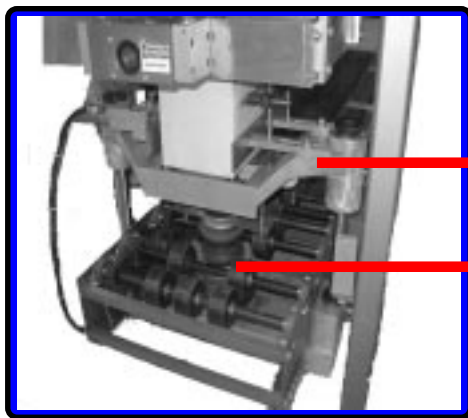
*For more information, visit our website at
<http://www.climaxpackaging.com>*

DP4 Drop Packer

The DP Series of Drop Packers has proven to be very versatile and reliable equipment for a wide range of case, tray, and plastic shell packing applications.



*DP4 - Tandem Drop Packer
2 Liter PET @ 33 CPM*



*Up to 28 CPM with a single case drop,
-- 40 CPM with a double case drop*

*Aluminum casting for case elevator to
provide the ultimate in strength and
durability*

*Air bellows for ultra-SOFT cushion of
cases and trays*

*Dimensional steel bottle conveyor
frame for rigidity and durability*

*PLC Controls, Touch Screen
Operator Interface*

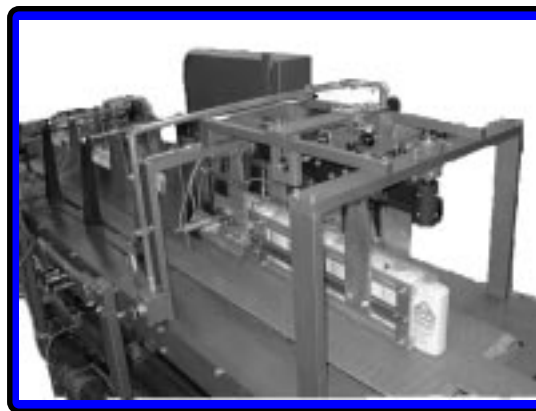
*Stainless steel, adjustable
lane guides*

Three configurations:

- Inline*
- Reverse Inline*
- Right Angle
Case Infeed*

Three available grids:

- Universal Shifting Rails*
- Trap Door*
- Bomb Bay*

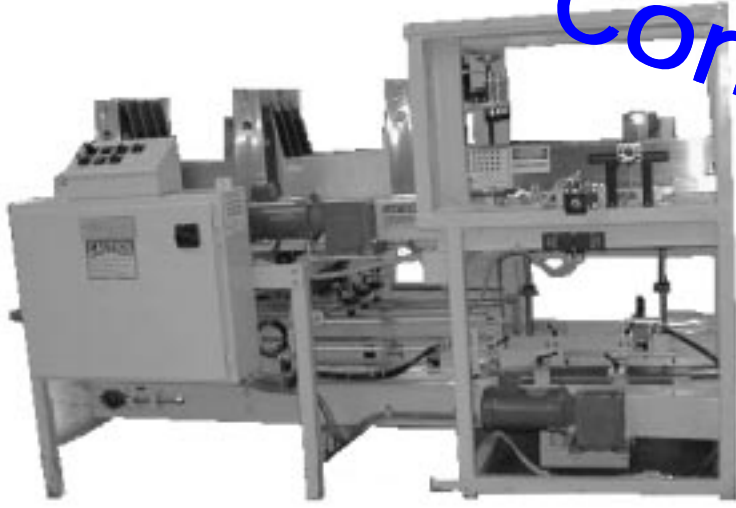


*Lane divider (with electronic
positioning control) for non-round
containers*

Stainless Steel/Aluminum, Non-Corrosive Models Available

CLIMAX
PACKAGING MACHINERY

Web Site:
<http://www.climaxpackaging.com>



Com-Pak Packer

Small Footprint
Economical Price
Quick Payback

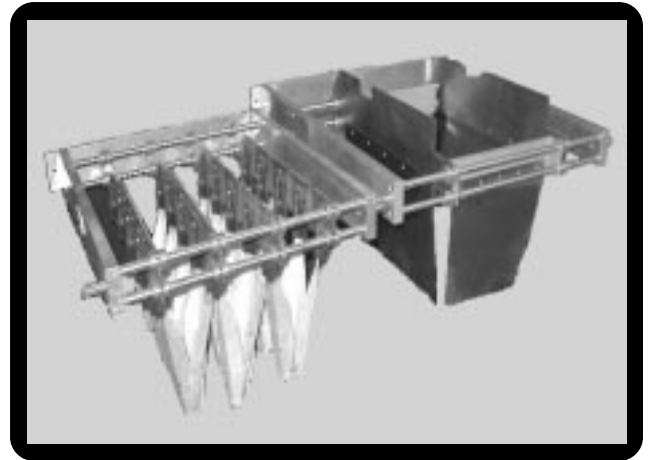
Up to 15 CPM

Designed for light to medium sized payloads

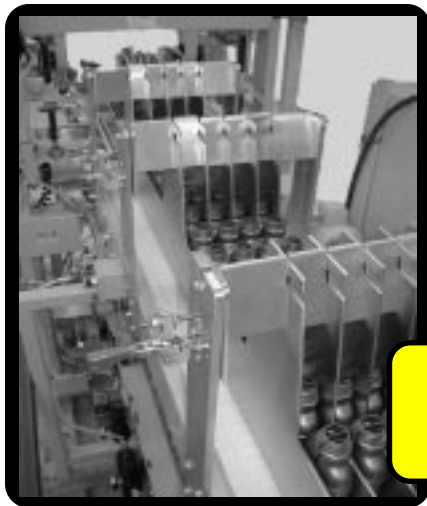
Only EIGHT feet long

PLC controls

Can be equipped with a lane divider for non-round containers (extends length to twelve feet)



Incorporates the standard Climax grids and grid baskets (with either plastic fingers or perimeter chutes)



Quick-Adjust lane spacers and snap-lock handles are standard on a Com-Pak drop packer

CLIMAX
PACKAGING MACHINERY

25 Standen Drive
Hamilton, Ohio 45015
Phone: 513 - 874 - 1233
Fax: 513 - 874 - 3375

email: sales@climaxpackaging.com

Specifications of Climax Drop Packers

Climax DROP PACKERS

Top packing speed
– double drop grid

Packer footprint
– with lane divider

Case elevator

Means to raise & lower case elevator

Case size range

- minimum
- maximum

Packer configurations

Bottle conveyor drive
Case conveyor drive

Shipping weight (approx)

Pneumatics

- minimum air supply required
- air consumption

Electricals

motors -- 230 or 460 volts, 60 HZ, 3 phase
controls -- 115V, 60 HZ, 3 phase
total amps -- 10 to 15 Amps

DP4

28 CPM
40 CPM

12 feet X 3 feet
18 feet X 3 feet

aluminum casting

air bellows directly underneath elevator

8" W x 8" L x 3" H
15" W x 22" L x 16" H

inline
reverse inline
right angle case infeed

1.5 HP variable speed
1 HP variable speed

3,000 lb.

60 PSIG
0.2 CFM/cycle

Com-Pak

15 CPM
25 CPM

8 feet X 3 feet
12 feet X 3 feet

steel fabrication

air cylinder

5" W x 8" L x 3" H
12" W x 20" L x 14" H

inline
reverse inline
special request

1 HP variable speed
1 HP variable speed

2,200 lb

60 PSIG
0.2 CFM/cycle

Climax Also Builds:

- *Uncaser*
- *SOFT Packer*
- *Multipacker*
- *Pick & Place Packer*
- *Continuous Motion Equipment (packer or uncaser)*
- *Free-Standing Lane Divider*



Over 4000 machines designed and manufactured in over 50 years of service in the packaging equipment industry.

CLIMAX
PACKAGING MACHINERY

25 Standen Drive Hamilton, OH 45015
Phone: 513 - 874 - 1233
Fax: 513 - 874 - 3375
email: sales@climaxpackaging.com
FOR MORE INFO VISIT OUR WEB SITE:
<http://www.climaxpackaging.com>